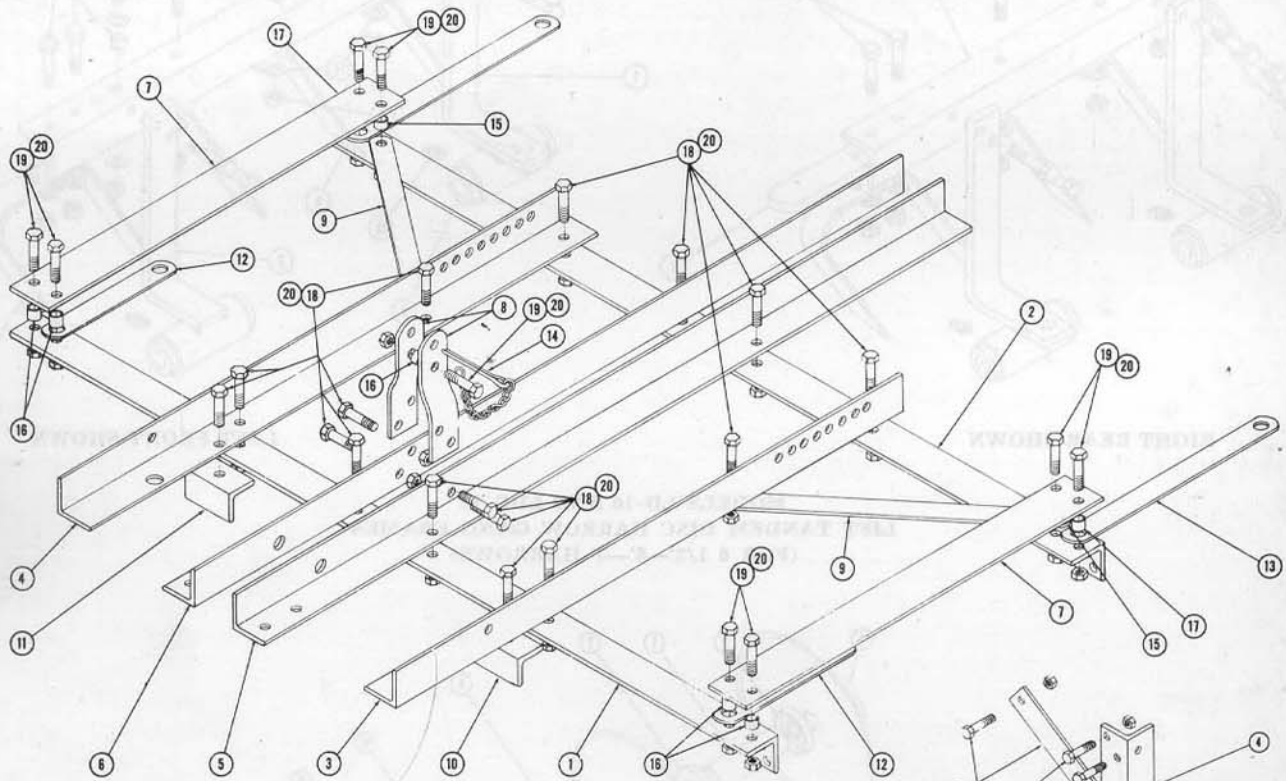


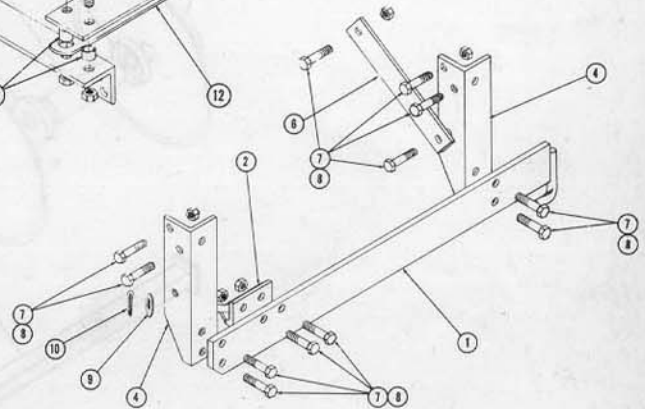
# LOVE CONTOUR TANDEM DISC HARROW

## PARTS LIST FOR MODELS LDC-10



**MODEL LDC-10**  
**LIFT TANDEM DISC HARROW BASIC MAIN FRAME**  
**ASSEMBLY LDC-57051**  
**(FOR 6 1/2' AND 8' HARROWS)**

REF. NO.	PART NO.	DESCRIPTION	NO. REQ'D
1	D-50445	Front Cross Angle	1
2	D-50425	Rear Cross Angle	1
3	LDC-57100-L	Left Lift Angle	1
4	LDC-57100-R	Right Lift Angle	1
5	LDC-57120	Left Center Angle	1
6	LDC-57125	Right Center Angle	1
7	D-50075	Top Side Plate	2
8	D-50025	Adjusting Bracket	2
9	D-50310	Frame Brace	2
10	LDC-57135-L	Left Pivot Stop	1
11	LDC-57135-R	Right Pivot Stop	1
12	D-51375	Front Stabilizer	2
13	D-51400	Rear Stabilizer	2
14	D-2750	Chain and Cotterkey	1
15	D-2366	Spacer 7/16" x 7/16"	2
16	D-2376	Spacer 7/16" x 9/16"	5
17	D-2346	Spacer 7/16" x 3/4"	2
18	705-C	Capscrew 7/16" x 1 1/4"	16
19	707-C	Capscrew 7/16" x 1 3/4"	9
20	716-LN	Locknut 7/16"	25



**MODELS LD-10 AND LDC-10**  
**LIFT TANDEM DISC HARROW FRAME ENDS**  
**ASSEMBLY D-50051 — LEFT (SHOWN)**  
**ASSEMBLY D-50052 — RIGHT**  
**(FOR 6 1/2' and 8' HARROWS)**

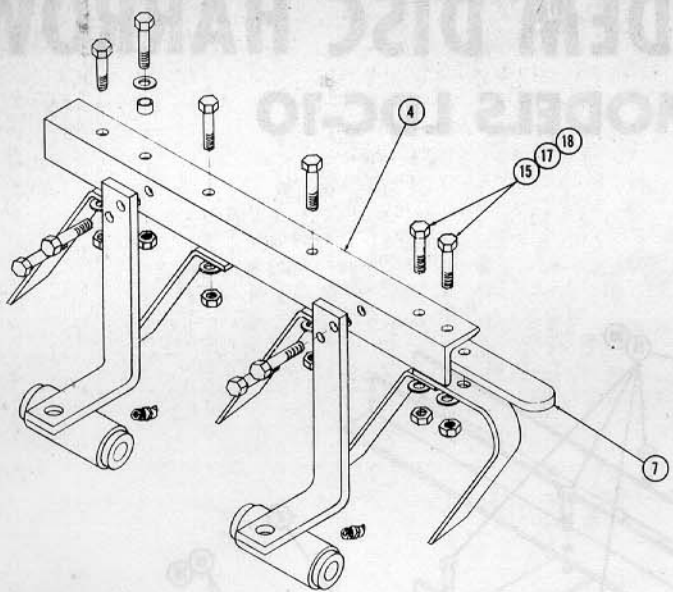
REF. NO.	PART NO.	DESCRIPTION	NO. REQ'D
1	D-50450	Side Plate	2
2	D-51350-L	Left Front Pivot	1
3	D-51350-R	Right Front Pivot	1
4	D-50100	Left Frame Upright	2
5	D-50110	Right Frame Upright	2
6	D-50300	Upright Brace	2
7	705-C	Capscrew 7/16" x 1 1/4"	24
8	716-LN	Locknut 7/16"	24
9	580-W	Washer 5/8"	2
10	D-3165	Cotterkey 3/16" x 1 1/2"	2

**LOVE LIFT TOOLS INC.**

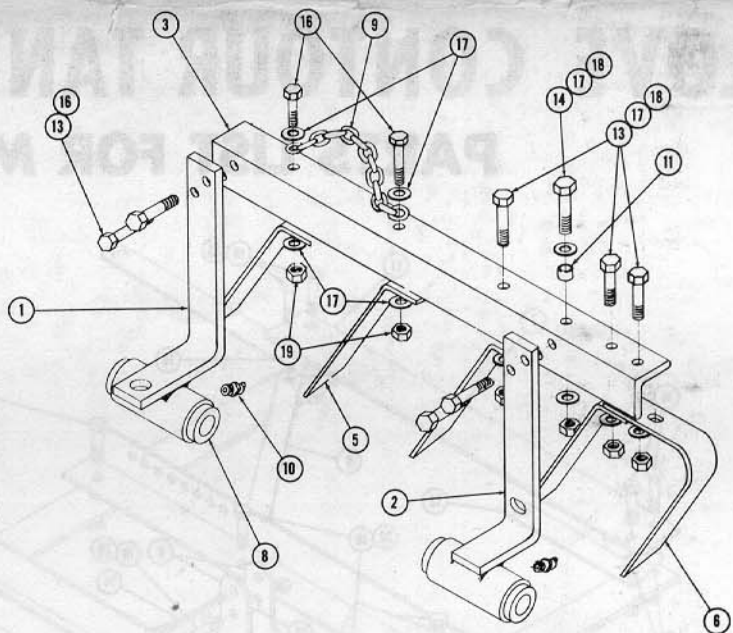
**EAU CLAIRE, MICHIGAN**

Subsidiary of [www.mfactorsclub.com](http://www.mfactorsclub.com) Inc.

PRINTED IN U.S.A.

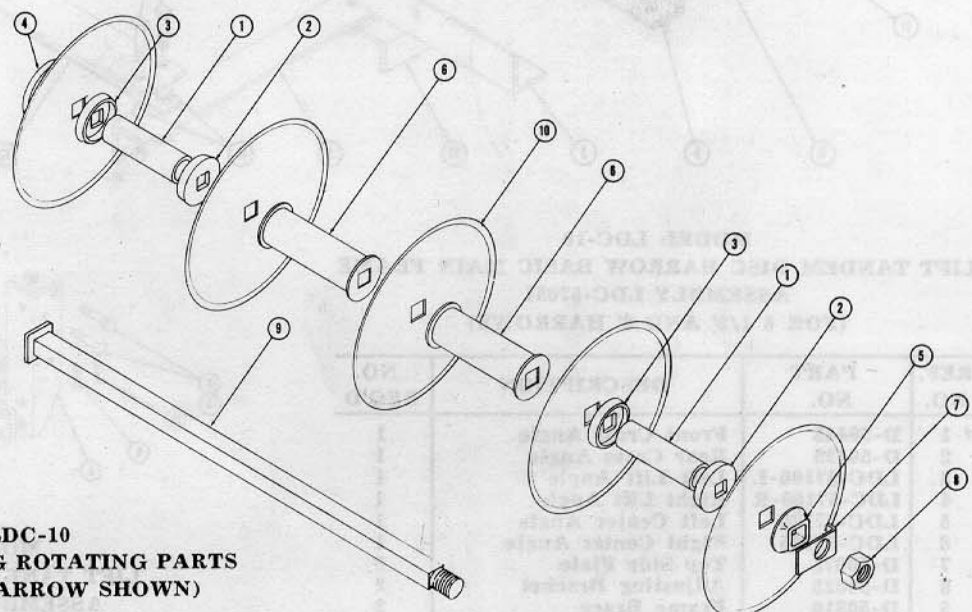


RIGHT REAR SHOWN



LEFT FRONT SHOWN

MODELS LD-10 AND LDC-10  
LIFT TANDEM DISC HARROW GANG FRAMES  
(FOR 6 1/2'—8'—9' HARROWS)



MODELS LD-10 AND LDC-10  
LIFT TANDEM DISC HARROW GANG ROTATING PARTS  
(BLADE ASSEMBLY FOR 6 1/2' HARROW SHOWN)

REF. NO.	PART NO.	DESCRIPTION	REQ'D PER HAR.			REF. NO.	PART NO.	DESCRIPTION	REQ'D PER HAR.		
			6 1/2'	8'	9'				6 1/2'	8'	9'
1	D-4060	Bearing	8	8	8	9	D-4466	Axle 1 1/8"	4		
2	D-4020	Thrust Washer	8	8	8		D-4468	Axle 1 1/8"		4	
3	D-4025	Bearing Washer	8	8	8		D-4469	Axle 1 1/8"			4
4	D-4398	*Bumper Washer	2	2	2	10	D-4612D	Disc Blade 16" Reg.	20	24	28
	D-51320	**Outer End Washer	2	2	2		D-4612DC	Disc Blade 16" Cut-out			
5	D-4798	Nut End Washer	4	4	4		D-4811D	Disc Blade 18" Regular			
6	D-4352	Spacer Spool	8	12	16		D-4811DC	Disc Blade 18" Cut-out			
7	D-4797	Nut Lock	4	4	4		D-4209D	Disc Blade 20" Regular			
8	1005-NC	Axle Nut	4	4	4		D-4209DC	Disc Blade 20" Cut-out			
9	D-4465	Axle 1 1/8"					D-4229D	Disc Blade 22" Regular			

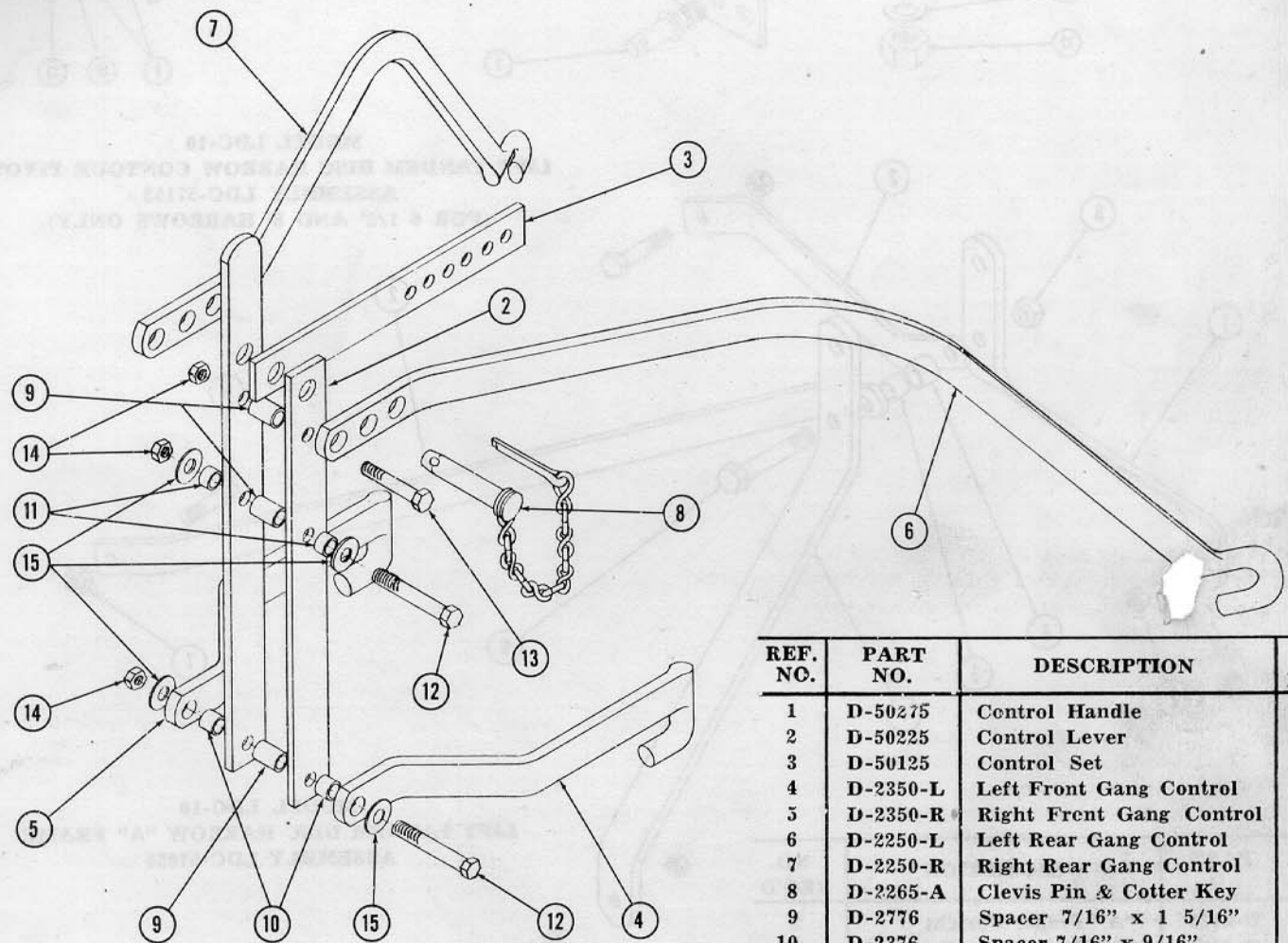
\*Bumper washers are standard on front right and left gangs.  
\*\*Outer end washers are standard on rear right and left gangs.

REF. NO.	PART NO.	DESCRIPTION	PER HAR.			REF. NO.	PART NO.	DESCRIPTION	PER HAR.		
			6 1/2'	8'	9'				6 1/2'	8'	9'
1	D-51052	Gang Upright	6	6	10	6	D-51475	Scraper	4	4	4
2	D-51053	Gang Upright	2	2	2	7	D-51330	Depth Plate	2	2	4*
3	D-51125	Left Front Gang Top Angle	1			8	D-3577	Wood Bushing	8	8	12
	D-51175	Right Front Gang Top Angle	1			9	D-3650	Lift Chain	2	2	2
	D-51525	Left Front Gang Top Angle		1		10	D-3575	Grease Fitting	8	8	12
	D-51575	Right Front Gang Top Angle		1		11	D-2366	Spacer 7/16" x 7/16"	4	4	4
	D-51725	Left Front Gang Top Angle			1	12*	D-2376	Spacer 7/16" x 9/16"			4*
	D-51775	Right Front Gang Top Angle			1	13	705-C	Capscrew 7/16" x 1 1/4"	28	32	36
	D-51075	Left Rear Gang Top Angle	1			14	706-C	Capscrew 7/16" x 1 1/2"	8	8	4
4	D-51100	Right Rear Gang Top Angle	1			15*	710-C	Capscrew 7/16" x 2 1/2"			4*
	D-51625	Left Rear Gang Top Angle		1		16	507-C	Capscrew 5/16" x 1 3/4"	4	4	4
	D-51675	Right Rear Gang Top Angle		1		17	716-W	Flat Washer 7/16"	28	32	36
	D-51825	Left Rear Gang Top Angle			1	18	716-LN	Locknut 7/16"	36	40	44
	D-51875	Right Rear Gang Top Angle			1	19	516-LN	Locknut 5/16"	4	4	4
	D-51500	Scraper	16	20	24						

When complete Gang Frame and Rotating Parts are needed use the following assembly numbers:

	6 1/2'	8'	9'
Left Front Gang	D-51550	D-51650	D-51750
Right Front Gang	D-51551	D-51651	D-51751
Left Rear Gang	D-51552	D-51652	D-51752
Right Rear Gang	D-51553	D-51653	D-51753

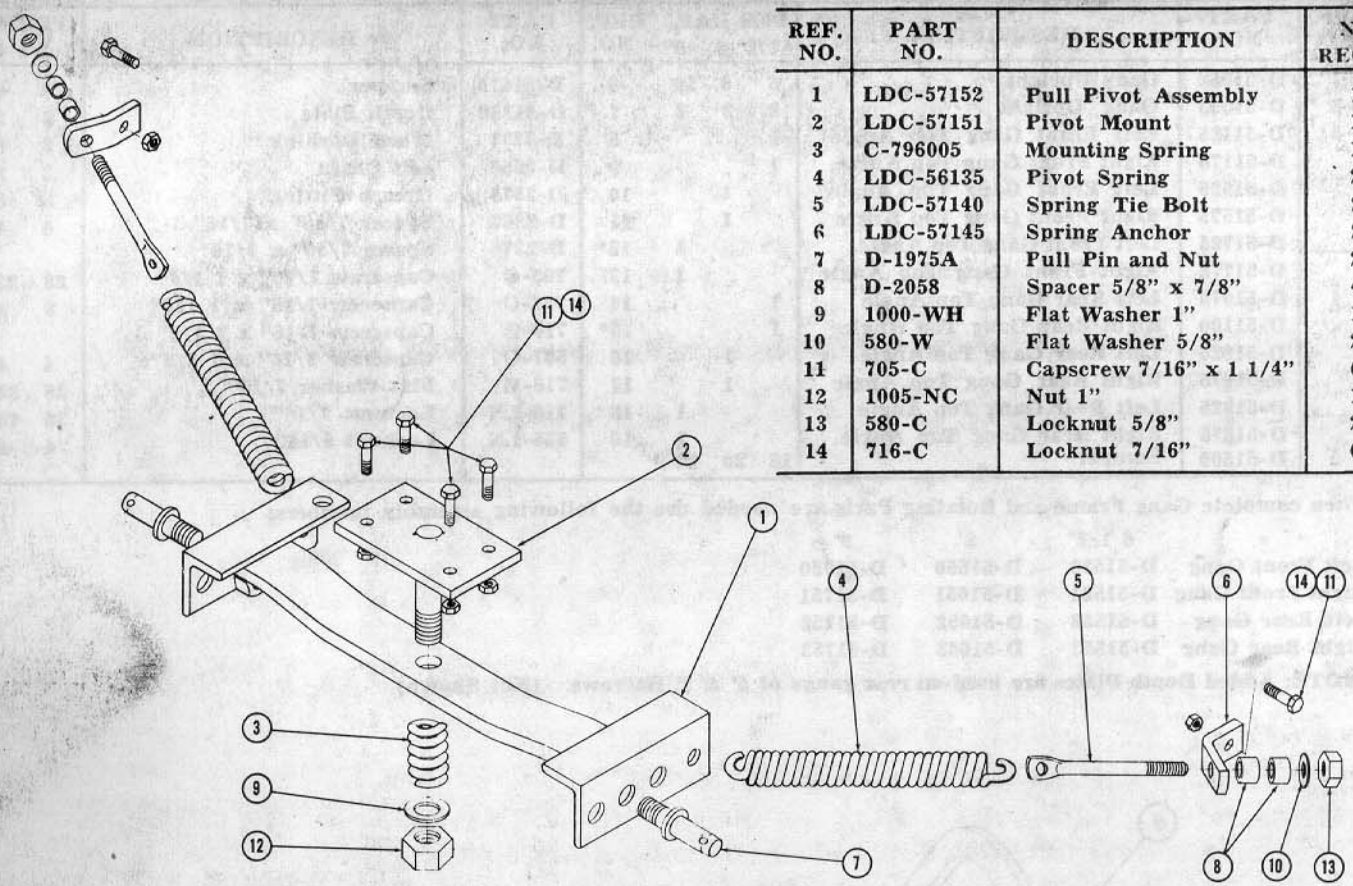
\*NOTE: Added Depth Plates are used on rear gangs of 5' & 9' Harrows. (Not Shown)



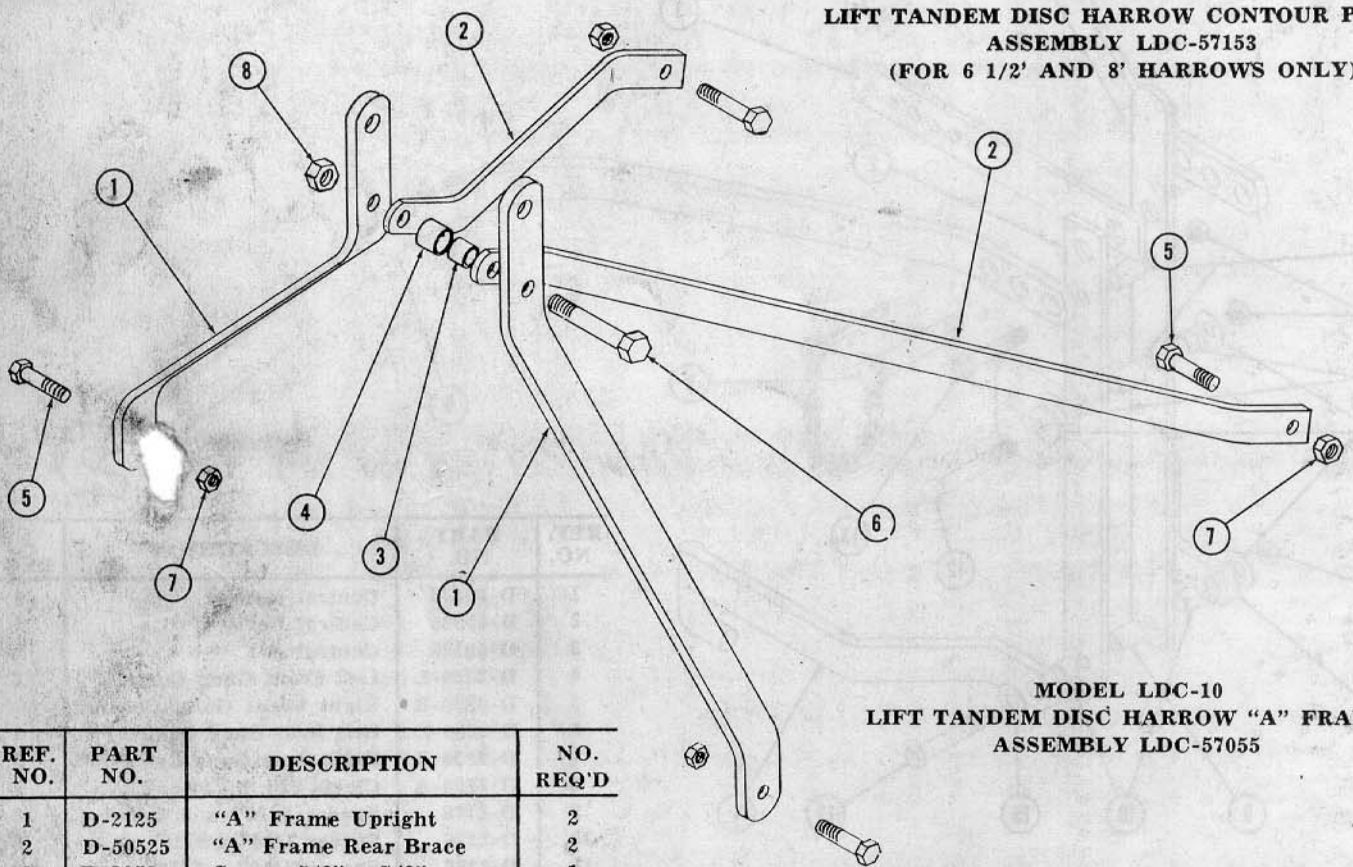
MODELS LD-10 AND LDC-10  
LIFT TANDEM DISC HARROW GANG CONTROL  
ASSEMBLY D-50650

REF. NO.	PART NO.	DESCRIPTION	NO. REQ'D
1	D-50275	Control Handle	1
2	D-50225	Control Lever	1
3	D-50125	Control Set	1
4	D-2350-L	Left Front Gang Control	1
5	D-2350-R	Right Front Gang Control	1
6	D-2250-L	Left Rear Gang Control	1
7	D-2250-R	Right Rear Gang Control	1
8	D-2265-A	Clevis Pin & Cotter Key	1
9	D-2776	Spacer 7/16" x 1 5/16"	3
10	D-2376	Spacer 7/16" x 9/16"	2
11	D-2366	Spacer 7/16" x 7/16"	2
12	715-C	Capscrew 7/16" x 3 3/4"	2
13	711-C	Capscrew 7/16" x 2 3/4"	1
14	716-LN	Locknut 7/16"	3
15	716-W	Flat Washer 7/16"	4

REF. NO.	PART NO.	DESCRIPTION	NO. REQ'D
1	LDC-57152	Pull Pivot Assembly	1
2	LDC-57151	Pivot Mount	1
3	C-796005	Mounting Spring	1
4	LDC-56135	Pivot Spring	2
5	LDC-57140	Spring Tie Bolt	2
6	LDC-57145	Spring Anchor	2
7	D-1975A	Pull Pin and Nut	2
8	D-2058	Spacer 5/8" x 7/8"	4
9	1000-WH	Flat Washer 1"	1
10	580-W	Flat Washer 5/8"	2
11	705-C	Capscrew 7/16" x 1 1/4"	6
12	1005-NC	Nut 1"	1
13	580-C	Locknut 5/8"	2
14	716-C	Locknut 7/16"	6



**MODEL LDC-10  
LIFT TANDEM DISC HARROW CONTOUR PIVOT  
ASSEMBLY LDC-57153  
(FOR 6 1/2' AND 8' HARROWS ONLY)**



**MODEL LDC-10  
LIFT TANDEM DISC HARROW "A" FRAME  
ASSEMBLY LDC-57055**

REF. NO.	PART NO.	DESCRIPTION	NO. REQ'D
1	D-2125	"A" Frame Upright	2
2	D-50525	"A" Frame Rear Brace	2
3	D-2058	Spacer 5/8" x 7/8"	1
4	D-2078	Spacer 7/8" x 7/8"	1
5	705-C	Capscrew 7/16" x 1 1/4"	4
6	513-C	Capscrew 5/8" x 3 1/4"	1
7	716-LN	Locknut 7/16"	4
8	580-LN	Locknut 5/8"	1

**GIVE PART NUMBER AND  
DESCRIPTION WHEN ORDERING**